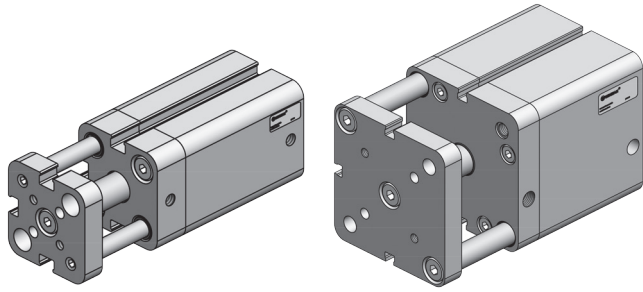


## WINC-G - Serie nicht drehende Kompaktzylinder / WINC-G - Series Non-Rotating Compact Cylinders

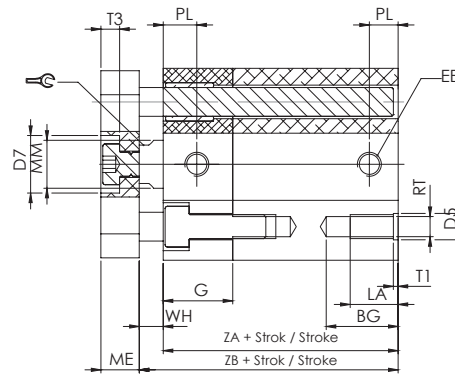
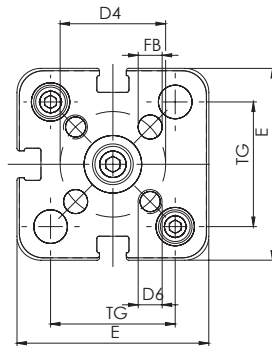


### Spezifikation/ Specification

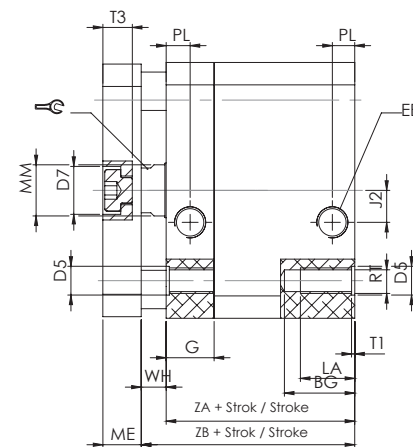
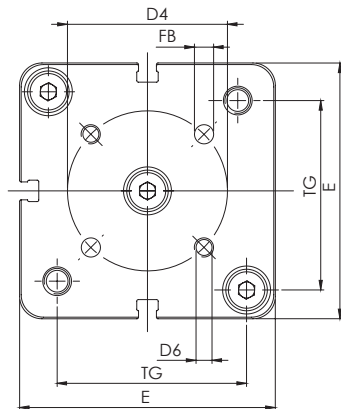
Bohrungsgröße/Bore Size	20	25	32	40	50	63
Arbeitstyp/Acting Type	Doppeltwirkend/Double Acting					
Flüssigkeit/Fluid	Luft (40µm gefiltert) /Air (40µm filtered)					
Betriebsdruck/Op. Pressure	< 10 Bar					
Temperatur/Temperature	0 ~ +80 °C					
Magnetisch/Magnetic	Optional					
Gleitführung/Cush. Type	Stoßstange/ Bumper					
Geschwindigkeitsbereich/Speed Range	< 500 mm/s					
Sensorschalter/Sensor Switches	WF-40					

### Technische Zeichnung/Technical Drawing

WINC-G.020/025



WINC-G.032/063



Ø mm	BG min.	D4 ±0.1	D5 Ø	D6	D7 Ø	E	EE	FB Ø h8	G	J2	LA +0.2	ME	MM Ø	PL	RT	h13	T1 +0.1	TG ±0.2	WH ±1.3	ZA ±0.3	ZB +1.2	STANDART
20	16.0	17	5.5	M4	10	36	M5	4	13.0	-	10.0	8	10	5.0	M5	8	1	22.0	4.5	37	49.5	10 - 20 - 25 30 - 40 - 50
25	16.0	22	5.5	M5	10	40	M5	5	14.5	-	10.0	8	10	5.0	M5	8	1	26.0	5.0	39	52.0	
32	18.0	28	6.5	M5	11	50	G1/8"	5	15.0	8	12.0	1	12	7.5	M6	10	1	32.5	6.0	44	60.0	
40	19.5	33	7.0	M5	11	58	G1/8"	5	15.0	3	12.0	10	12	7.5	M6	10	1	38.0	5.5	45	60.5	
50	22.0	42	9.0	M6	15	67	G1/8"	6	15.0	7	16.0	15	16	7.5	M8	14	1	46.5	5.2	45	65.2	
63	22.0	50	9.0	M6	15	80	G1/8"	6	15.0	10	16.0	12	16	7.5	M8	14	1	56.5	7.8	49	68.8	

### Bestellnummer/Ordering Code

MODEL MODEL	DIAMETER DIA.	Hub(mm) STROKE
WINC-G	032	0050
Nicht rotierender Kompakt Non-Rotating Compact	Kolben (mm) Piston Dia	Hub(mm) Stroke